

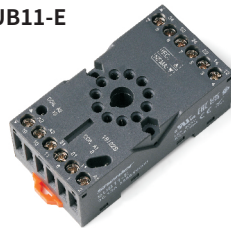
Characteristics



SUB08-E



SUB11-E

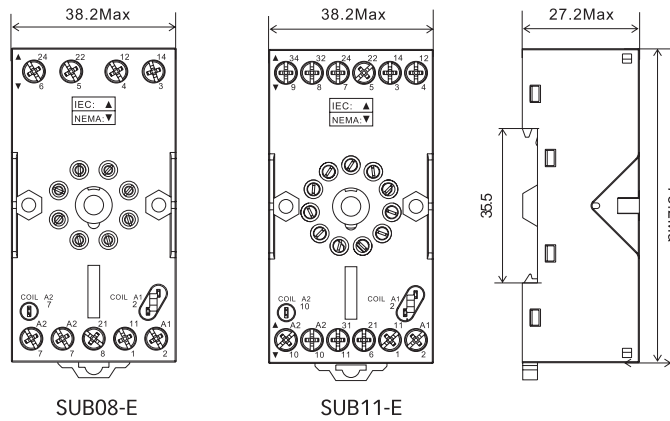


Type		SUB08-E	SUB11-E
Nominal load	Current	A	12
	Voltage	V	300
Dielectric strength	V/min	2500	
Max. tightening torque	Nm	1.0	
Wire size	AWG/mm ²	20-14/0.5-2.5	
Ambient temperature	°C	-40~+85	
Unit weight	g	50	55

Accessories

Socket	Metal clip	ID tag	Module
SUB08-E	 SU60M	 SU3P	 BMD
SUB11-E			

Dimensions (mm)



Connection Diagrams

