

SNC05-P1

Solid state slim relay
PCB socket



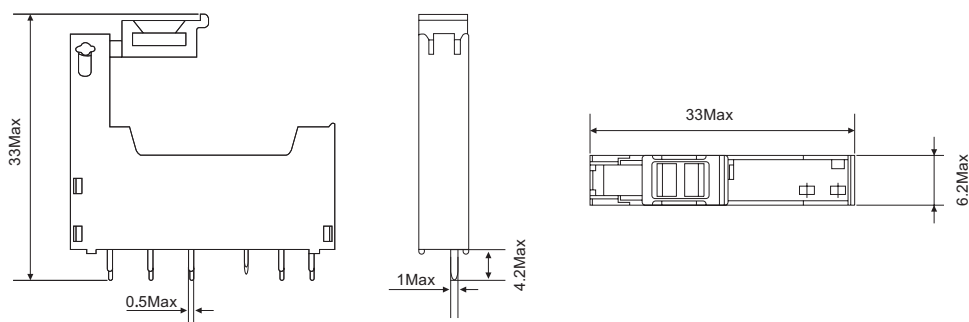
Product performance

SNC05-P1

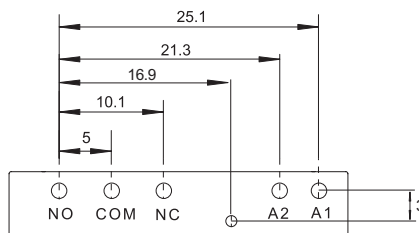


Nominal load	Current	A	6
	Voltage	V	300
Dielectric strength	Input/output	V/min	2500
Ambient temperature		°C	-40~+85
Unit weight		g	2.6

Dimension (mm)



Wiring Diagram



Physical drawing of product application

