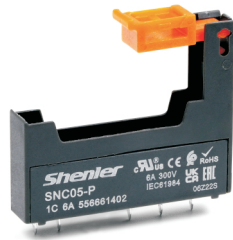


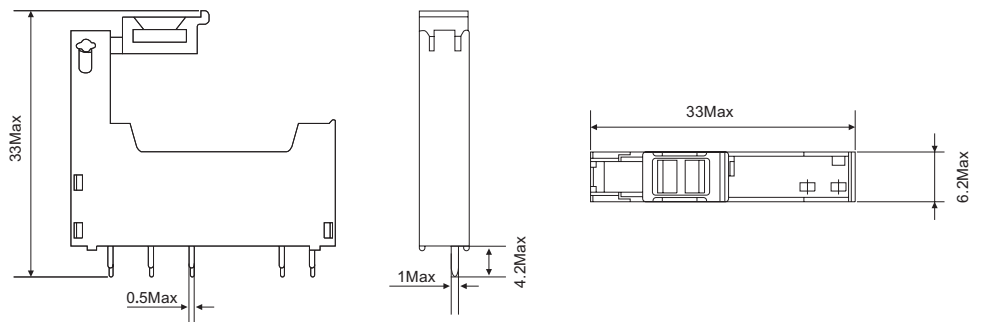
**Characteristics**



**SNC05-P**

Nominal load	Current	A	8
	Voltage	V	300
Dielectric strength	Between coil and contact	V/min	4000
	Between contacts	V/min	2500
Wire size	AWG/mm <sup>2</sup>	20-16/0.5-1.5	
Ambient temperature	°C	-40~+85	
Unit weight	g	2.6	

**Dimensions (mm)**



**Connection Diagrams**

