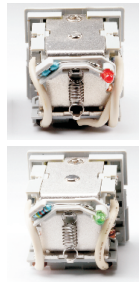


- 2 poles, 3 poles contact load 16A
- With non-polarity LED integrated in relay
- With lockable test button and inspection window
- Identification of coils through test button color (AC red/DC blue)
- Conformity with RoHS Directive



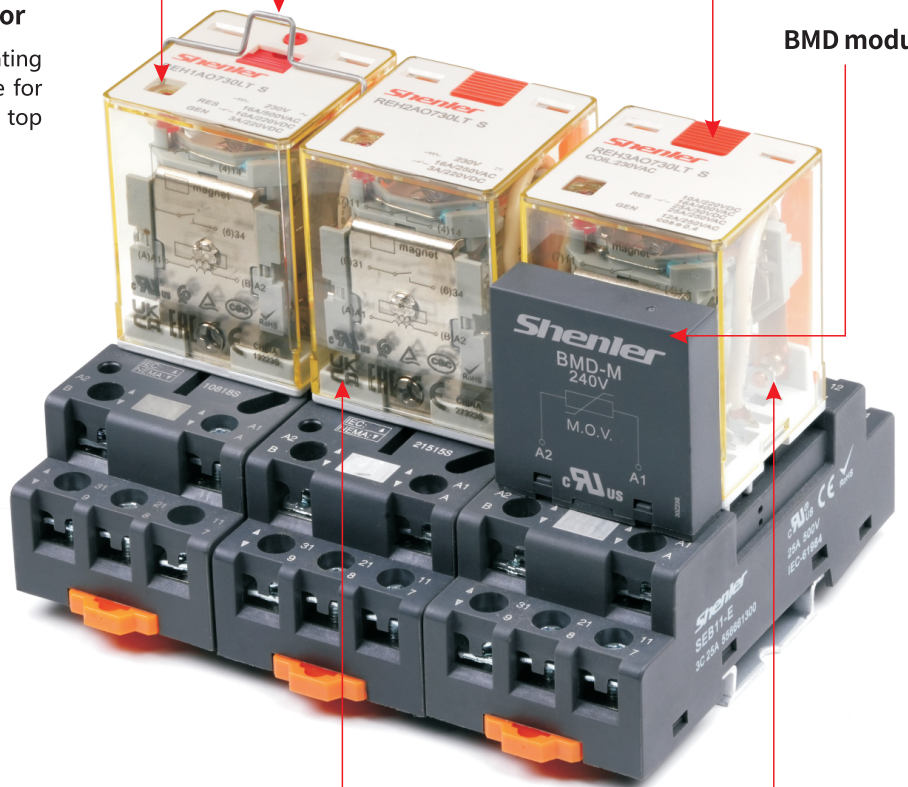
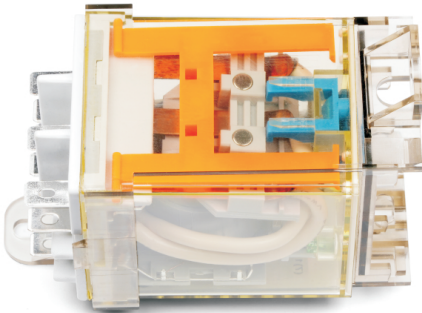
LED
Visible LED indicates the working status of the relay at any time, AC red, DC green



Metal clip
The relay is firmly attached to the socket by Metal clip.

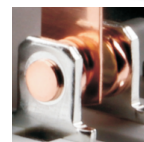
Test button
On-site test is available with test button.

REH-DA Mounting Adaptor
To meet with different mounting way, extra cover is available for both bracket mount and top flange integrated.



BMD module

Silver alloy pins
High-quality silver alloy pins, strong contact, instantaneous conductivity and stable performance.

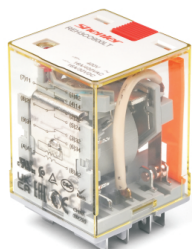


Silver alloy contacts
It can carry more current, with stronger conductivity and more sensitive response, and greatly extend electrical life, and works more stable.



REH

Power Relay



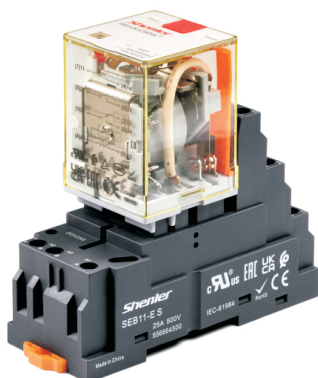
Relay

+



Socket

=



Relay module

REH □ □ □ □

Other options

- L: LED
- LT: LED + test button
- LTD: LED + test button + diode (A1-, A2+)
- LTD1: LED + Test button + diode (A1+, A2-)

Coil voltage code

Code	006	012	024	048	110	220	
Voltage (V DC)	6	12	24	48	110	220	
Code	506	524	548	615	730	880	900
Voltage (V AC)	6	24	48	115	230	380	400

Terminal arrangement

O: plug in

Contact form

- 2C: 2CO
- 3C: 3CO

Series name

Characteristics

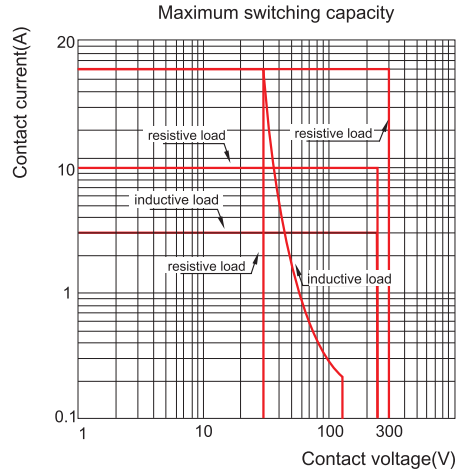
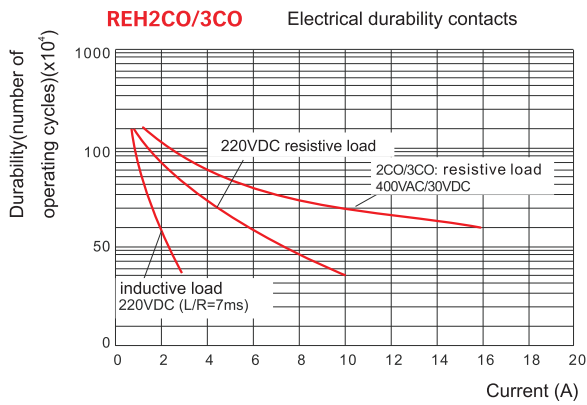
Configuration	2C,3C	2COLS,2COLTS
Load	Resistive	16A/400VAC 30VDC
	Resistive	—
	inductive	—
Motor load	1/2HP, 120VAC; 1HP,240VAC	
Contact	Max. switching capacity (resistive)	6400VA, 480W
	Max. switching capacity (inductive)	2500VA, 90W
Initial contact resistance	≤50mΩ	
Material	Ag alloy	
Electrical durability (110%rated voltage, 55°C)	≥60 x 10 ⁴ Cycles (600 Ops/h)	
Electrical durability (Normal temperature)	≥5000 x 10 ⁴ Cycles (18000 Ops/h)	
Mechanical durability	≥2000 x 10 ⁴ Cycles (18000 Ops/h)	
Pick-up voltage (23°C) (Rated voltage)	DC:≤75%, AC:≤80% 50/60Hz	
Drop-out voltage (23°C) (Rated voltage)	DC:≥10%, AC:≥30% 50/60Hz	
Maximum voltage (23°C) (Rated voltage)	110%	
Insulation resistance	≥1000MΩ (500VDC)	
Coil operating power	DC(W)	approx. 1.5
	AC(VA)	approx. 2.5(60Hz)
Operate time&Release time (at nominal voltage)	≤20ms	
Initial breakdown voltage	Between open contacts	1500VAC/1min (leakage current 1mA)
	Between poles	4000VAC/1min (leakage current 1mA)
	Between contacts and coil	4000VAC/1min (leakage current 1mA)
Insulation characteristics	Rated voltage	300VAC
	Pollution level	3
	IEC 60664 UL840 Overvoltage level	III
Impulse withstand voltage (waveform: 1.2/50μs)	6000V	
Protection level	IP20	
Storage temperature/ humidity	-55~+85°C/ ≤85%RH (18 months)	
Working temperature/ humidity	-40~+55°C/ 5%~85%RH (No condensation)	
Air pressure	86~106KPa	
Shock resistance	10G (half-sine shock pulse: 11ms)	
Vibration resistance	10~55Hz double-amplitude:1.0mm	
Mounting	plug in	
Unit weight	approx. 90g	

Coil Specifications (23°C)

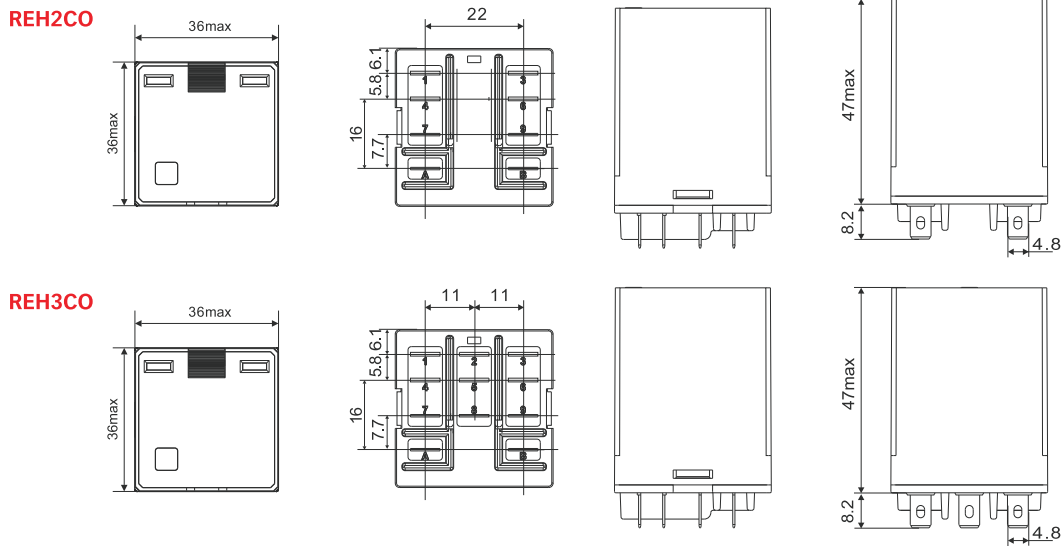
Nominal voltage V.DC	6	12	24	48	110	220	
Coil resistance Ω	24	96	385	1540	8070	32270	
Nominal voltage V.AC	6	24	48	115	230	380	400
Coil resistance Ω	8	100	350	2200	8000	28500	30000

Coil resistance: under coil voltage 110V are measured with tolerance of ±10%Ω, above 110V with tolerance of ±15%Ω.

Contact Specification

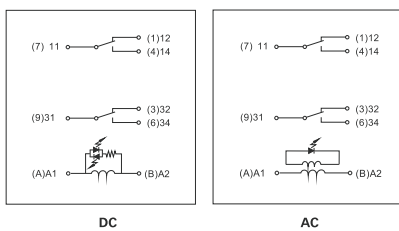


Dimensions (mm)

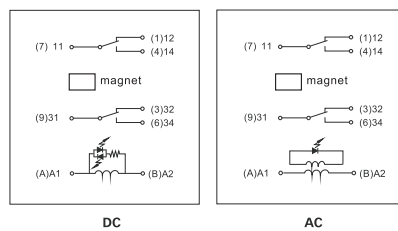


Wiring Diagrams

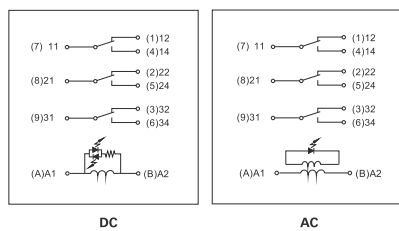
REH2CO



REH2COLTS

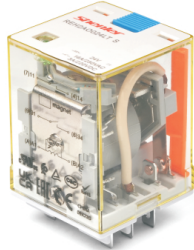


REH3CO



REH-S

Magnetic Blow-out Power Relay



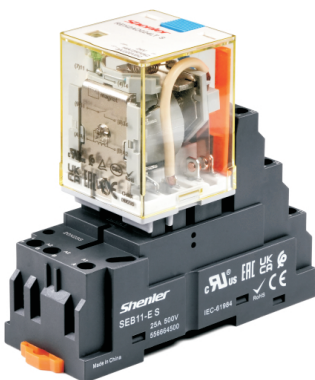
Relay

+



Socket

=



Relay module

REH □ □ □ □

Other options

- L S: LED + magnet
- LT S: LED + test button + magnet
- LT SM: LED+test button+magnet, with 0.65Un coil tuned

Coil voltage code

Code	012	024	048	110	220	
Voltage (V DC)	12	24	48	110	220	
Code	524	548	615	730	880	900
Voltage (V AC)	24	48	115	230	380	400

Terminal arrangement

O: plug in

Contact form

Code	1A	1B	2A	2B	2FO	3A
Contact form	1NO	1NC	2NO	2NC	1NO&1NC	3NO

Series name

- ◆ Good performance in DC motor load
- ◆ With non-polarity LED and lockable test button.
- ◆ High capacity load (16A@400VAC) for well replacement of contactor
- ◆ With blow-out magnet
- ◆ Identification of coil through test button color (AC red /DC blue)
- ◆ Large creepage distance and high insulation resistance

Characteristics

Configuration		1A,1B	2A,2B,2FO	3A
Load	Resistive	16A/500VAC	16A/250VAC	16A/300VAC
	Resistive	10A/220VDC 16A/30VDC		
	inductive	10A/250VAC(cosφ0.4); 3A/220VDC(L/R=7ms)		
Contact	Resistive	8000VA	4000VA	4800VA
	Resistive	2200W		
	inductive	2500VA(cosφ0.4);660W(L/R=7ms)		
Switching capacity		2200W		
Initial contact resistance		≤50mΩ		
Material		Ag alloy		
Electrical durability(110%rated voltage, 55°C)		≥60 x 10 ⁴ Cycles (600 Ops/h)		≥20 x 10 ⁴ Cycles (600 Ops/h)
Mechanical durability		≥5000 x 10 ⁴ Cycles (18000 Ops/h)		
Pick-up voltage (23°C) (Rated voltage)		DC:≤75% , AC:≤80% 50/60Hz		
Drop-out voltage (23°C) (Rated voltage)		DC:≥10% , AC:≥30% 50/60Hz		
Maximum voltage (23°C) (Rated voltage)		110%		
Insulation resistance		≥1000MΩ (500VDC)		
Coil operating power	DC (W)	approx. 1.5		
	AC (VA)	approx. 2.5(60Hz)		
Operate time&Release time (at nominal voltage)		≤20ms		
Initial breakdown voltage	Between open contacts	1500VAC/1min (leakage current 1mA)		
	Between poles	4000VAC/1min (leakage current 1mA)		
	Between contacts and coil	4000VAC/1min (leakage current 1mA)		
Insulation characteristics	Rated voltage	500VAC	250VAC	400VAC
	Pollution level	2	3	3
IEC 60664 UL840	Overvoltage level	II	III	II
Protection level		IP20		
Storage temperature/ humidity		-20~+85°C/ ≤85%RH (18 months)		
Working temperature/ humidity		-40~+55°C/ 5%~85%RH (No condensation)		
Air pressure		86~106KPa		
Shock resistance		10G (half-sine shock pulse: 11ms)		
Vibration resistance		10~55Hz double-amplitude:1.0mm		
Mounting		plug in		
Unit weight		approx. 90g		

Selection manual of industrial control relay

REH-S

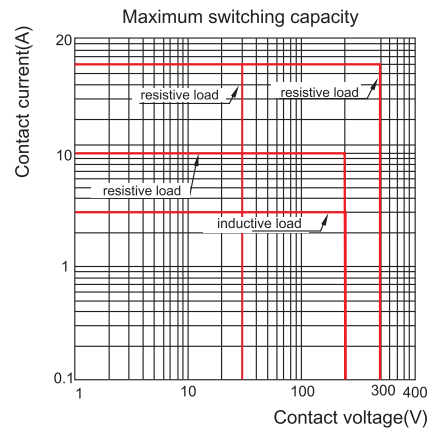
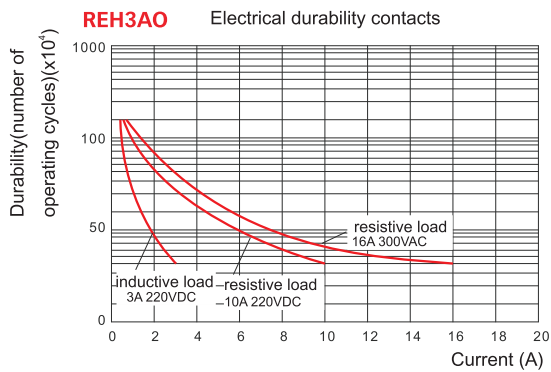
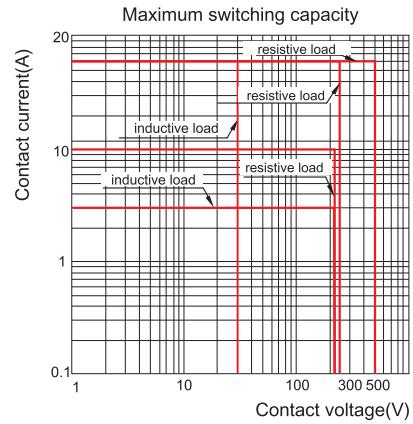
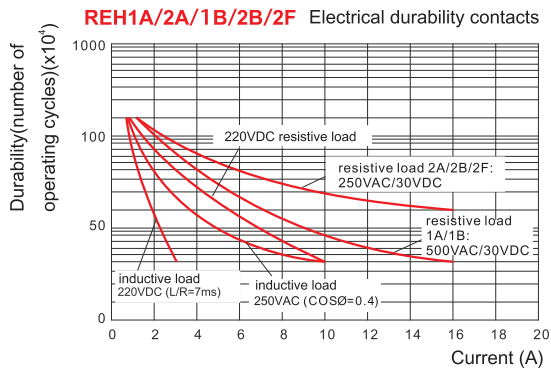
Magnetic Blow-out Power Relay

Coil Specifications (23°C)

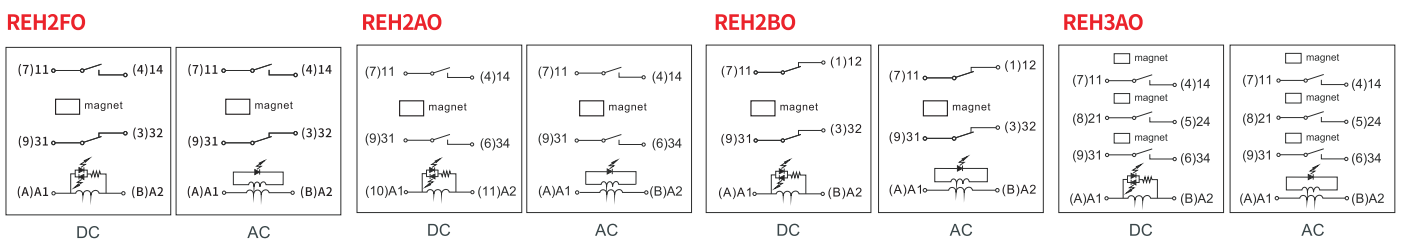
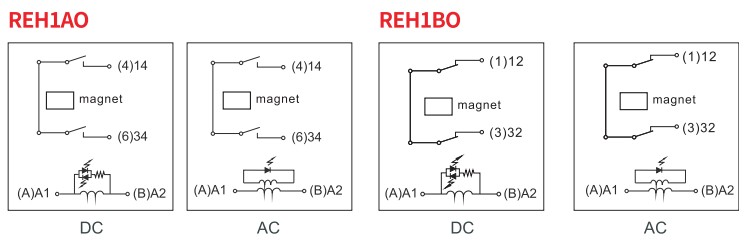
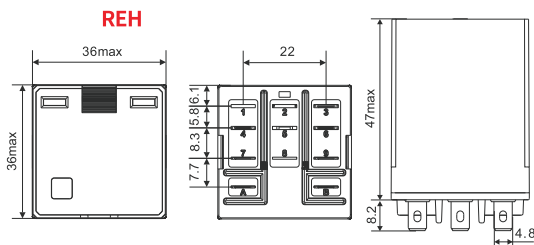
Nominal voltage V.DC	12	24	48	110	220	
Coil resistance Ω	96	385	1540	8070	32270	
Nominal voltage V.AC	24	48	115	230	380	400
Coil resistance Ω	100	350	2200	8000	28500	30000

Coil resistance: under coil voltage 110V are measured with tolerance of $\pm 10\% \Omega$, above 110V with tolerance of $\pm 15\% \Omega$.

Contact Specification



Dimensions (mm) & Wiring Diagrams



Characteristics





SEB11-E

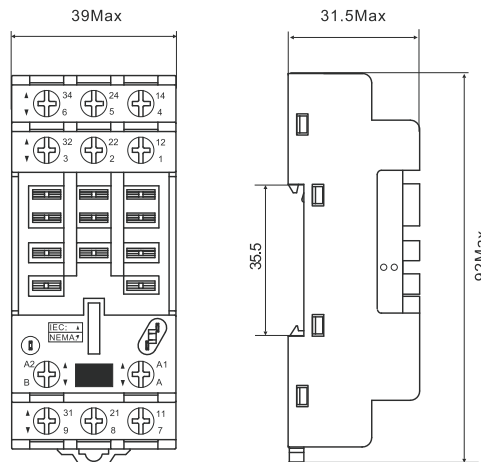


Type			SEB11-E
Nominal load	Current	A	25
	Voltage	V	500
Dielectric strength	Between coil and contact	V/min	4000
	Between contacts	V/min	2500
Max. tightening torque	Nm	1.2	
Wire size	AWG/mm ²	20-12/0.5-3.3	
Ambient temperature	°C	-40~+75	
Unit weight	g	64	

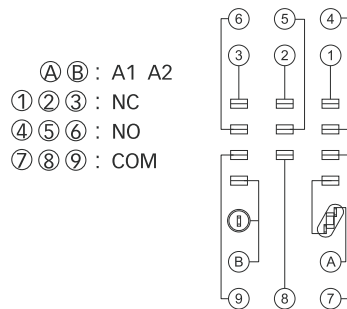
Accessories

Socket	Metal clip	Module
SEB11-E	 SE52M	 BMD

Dimensions (mm)



Connection Diagrams



Characteristics






SEB11-E S

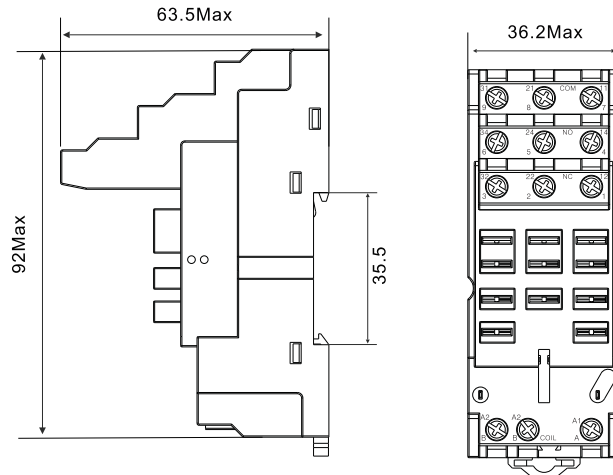


Type			SEB11-E S
Nominal load	Current	A	25
	Voltage	V	500
Dielectric strength	Between coil and contact	V/min	4000
	Between contacts	V/min	2500
Max. tightening torque	Nm	1.2	
Wire size	AWG/mm ²		20-12/0.5-3.3
Ambient temperature	°C	-40~+75	
Unit weight	g	85.9	

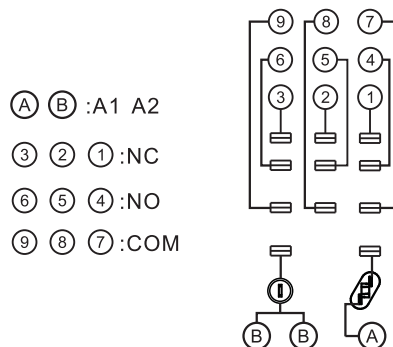
Accessories

Socket	Metal clip	Module	ID tag
SEB11-E S			
	SE52M	BMD	SK2P

Dimensions (mm)



Connection Diagrams



Characteristics

SEB11-PS



Type			SEB11-PS
Nominal load	Current	A	16
	Voltage	V	500
Dielectric strength		V/min	2500
Ambient temperature		°C	-40~+75
Unit weight		g	11.9

Accessories

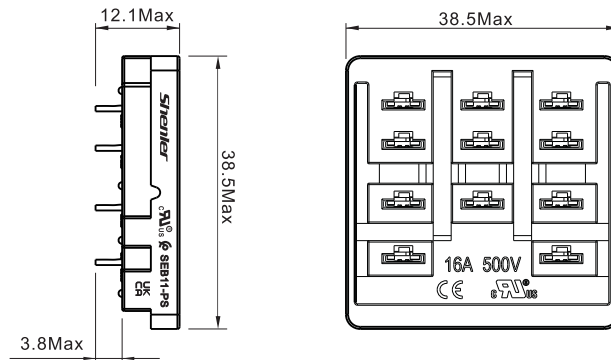
Socket	Metal clip
--------	------------

SEB11-PS



SE48M

Dimensions (mm)



Connection Diagrams

- Ⓐ Ⓑ : A1 A2
- ① ② ③ : NC
- ④ ⑤ ⑥ : NO
- ⑦ ⑧ ⑨ : COM

