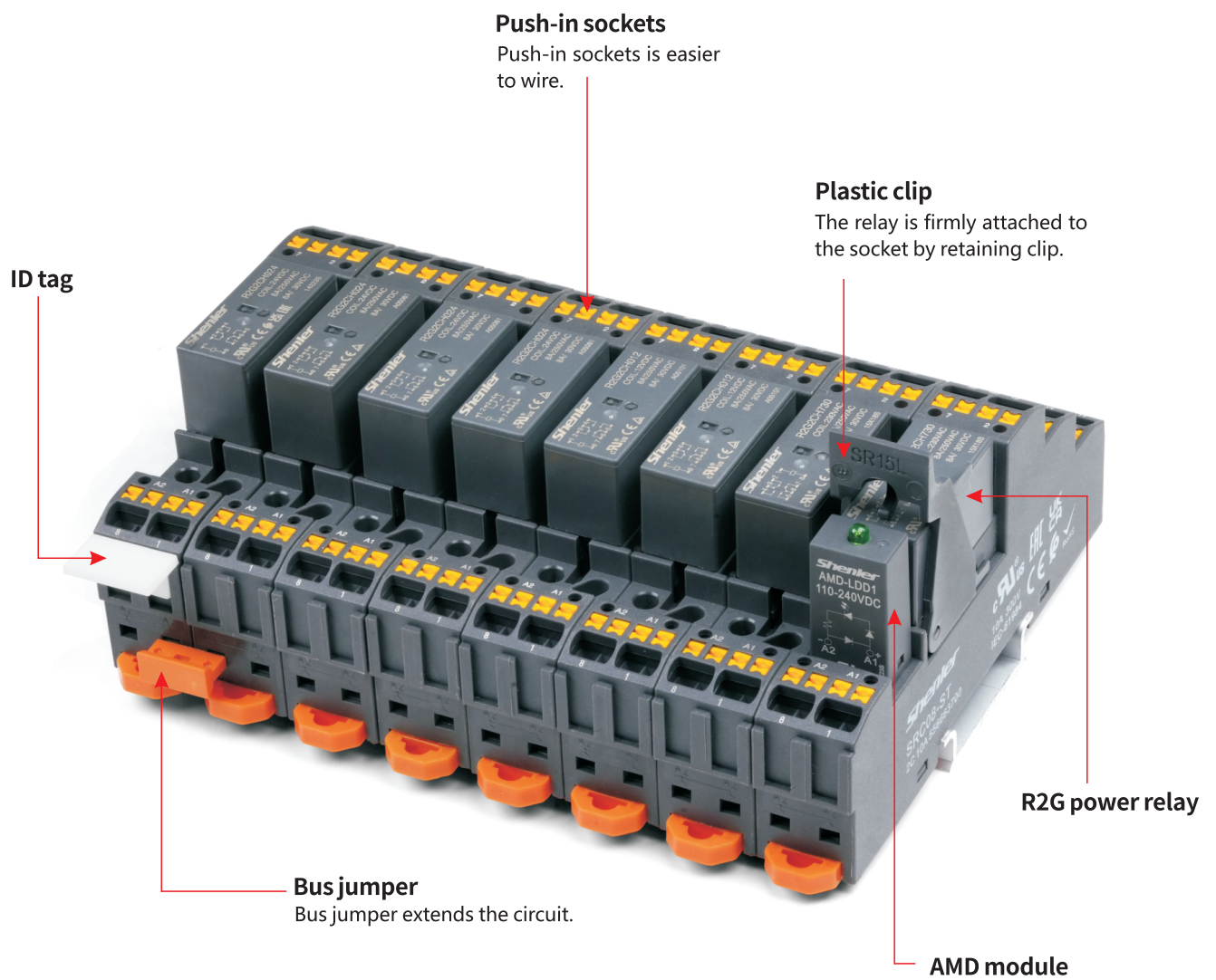


- Available for 1 and 2 poles, a variety of high capacity models
- High sensitive of consumed power 400mW
- With up to 8mm of insulation distance between coil and contacts
- High insulation with 10kv of shock resistant voltage
- Meet with the ambient temperature 85°C





Relay

Socket

Relay module

R2G □ □ □ □ □ □

**Encapsulation Way**

Blank: Sealed

**Coil Consumption**

Blank: Standard (400mW)

**Material Level**

Blank: B class

**Coil voltage code**

Code	005	006	009	012	048	060	110
Voltage (V DC)	5	6	9	12	48	60	110
Code	524	615	730				
Voltage (V AC)	24	115	230				

**Terminal arrangement**

O: 3.5mm contact pin pitch 1 pole 12A  
 U: 5.0mm contact pin pitch 1 pole 12A  
 H: 5.0mm contact pin pitch 1 pole 16A, 2 poles 8A

**Contact form**

1, 2 (A: NO, B: NC, C: CO)

**Series name**

**Characteristics**

Configuration		1C/1A	2C/2A	
Load	Resistive load (AC-1)	12A, 16A/250VAC, 30VDC	8A/250VAC, 30VDC	
	Motor load (AC-3)	1/2HP, 240VAC; 3/4HP, 120VAC	1/3HP, 240VAC, 1/4HP, 120VAC	
Max. switching capacity (resistive)		3000VA, 360W; 4000VA, 480W	2000VA, 240W	
Contact	Initial contact resistance	≤100mΩ		
	Material	Ag alloy		
	Electrical durability (normal temp., frequency 1s on, 9s off)	3.5mm: 1NO 12A ≥ 8X10 <sup>4</sup> Cycles	5.0mm: 2NO 8A ≥ 5X10 <sup>4</sup> Cycles	
		5.0mm: 1NO 16A ≥ 5X10 <sup>4</sup> Cycles		-
Mechanical durability		DC ≥ 2000X10 <sup>4</sup> CYCLES (18000 OPS/H); AC ≥ 1000X10 <sup>4</sup> CYCLES (18000 OPS/H)		
Pick-up voltage (23°C) (Rated voltage)		DC ≤ 70% AC: ≤ 75%		
Drop-out voltage (23°C) (Rated voltage)		DC: ≥ 10% AC: ≥ 15%		
Maximum voltage (23°C) (Rated voltage)		130%		
Insulation resistance		≥ 1000MΩ (500VDC)		
Coil operating power	DC(W)	approx. 0.4		
	AC(VA)	approx. 0.75(60Hz)		
Operate time		≤ 10ms		
Release time (at nominal voltage)		≤ 5ms		
Initial breakdown voltage	Between open contacts	1000VAC/1min (leakage current 1mA)	1000VAC/1min (leakage current 1mA)	
	Between poles	-	2500VAC/1min (leakage current 1mA)	
	Between contacts and coil	5000VAC/1min (leakage current 1mA)	5000VAC/1min (leakage current 1mA)	
Insulation characteristics	Rated voltage	250VAC		
	Pollution level	3		
IEC 60664 UL840	Overvoltage level	III		

Protection level	IP40(socket not included)
② Storage temperature/ humidity	-55~+85°C/ 5%~68%RH (18 months)
Working temperature/ humidity	-40~+85°C/ 5%~85%RH (No condensation)
Air pressure	86~106KPa
Shock resistance	10G (half-sine shock pulse: 11ms)
③ Vibration resistance	10~55Hz double-amplitude:1.5mm
Mounting	PCB
Unit weight	approx. 13g

- ① Only for DC
- ② If the storage time exceeds 18 months (calculated from the factory date) , to avoid affecting the performance parameters , it is recommended to re-test the parameters before use.
- ③ not length direction

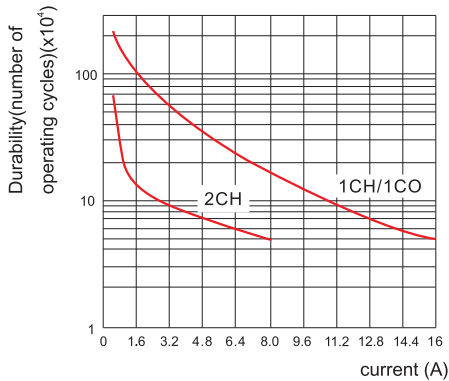
**Coil Specifications (23°C)**

Nominal voltage V.DC	5	6	9	12	24	48	60	110
Coil resistance Ω	62.5	90	200	360	1440	5220	8570	28800
Nominal voltage V.AC	24	115	230					
Coil resistance Ω	350	8100	32500					

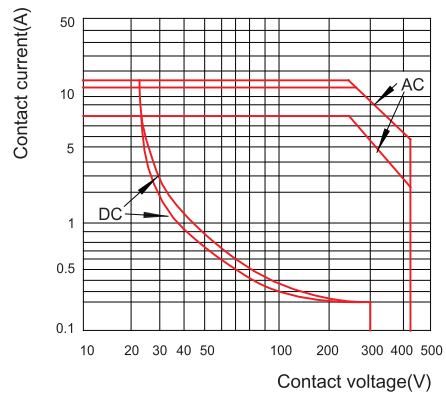
Coil resistance tolerance: under coil voltage 5000Ω are measured with tolerance of ±10%Ω, greater or equal to 5000Ω with tolerance of ±15%Ω.

**Contact Specification**

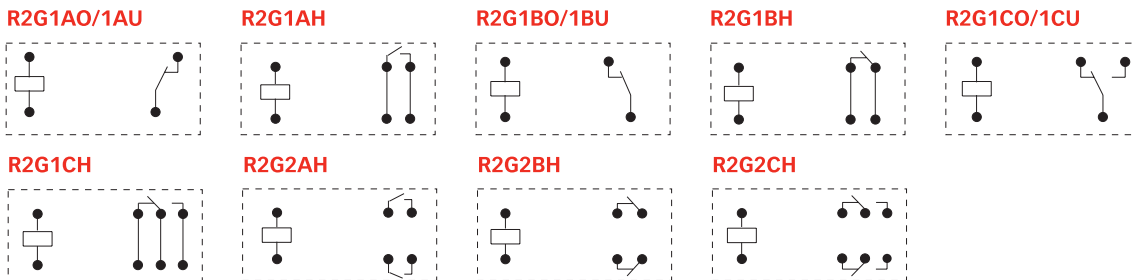
250VAC NO resistive load curve diagram



Maximum load on/off curve

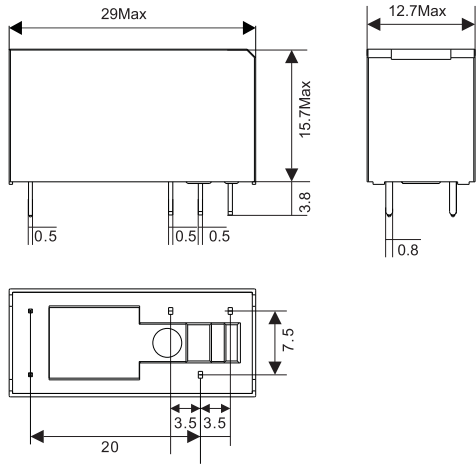


**Wiring Diagrams**

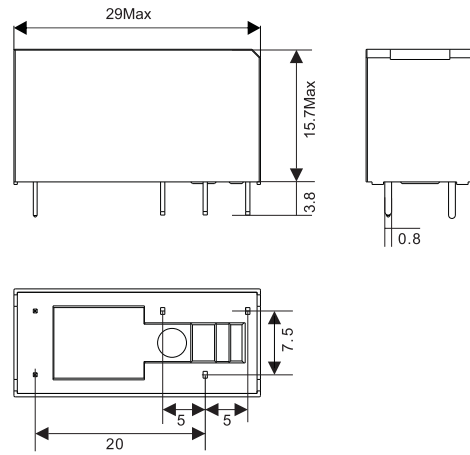


**Dimensions (mm)**

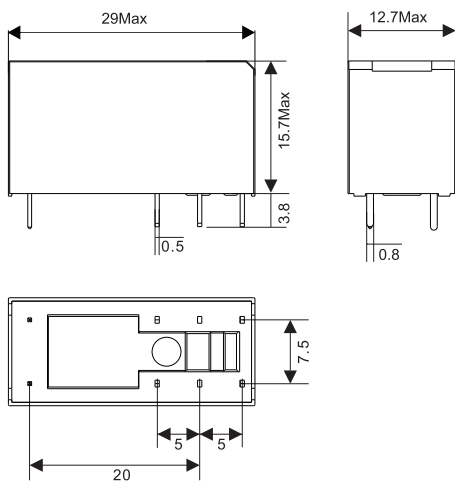
**R2G1CO 3.5mm**



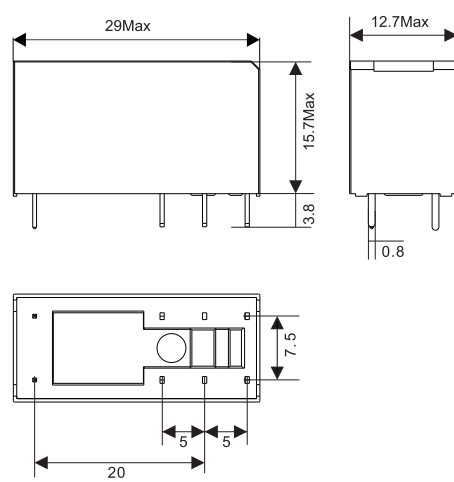
**R2G1CU 5.0mm**



**R2G1CH 5.0mm**



**R2G2CH 5.0mm**



## Characteristics



SRC05-ST



SRC08-ST



Type		SRC05-ST	SRC08-ST
Nominal load	Current	A	16
	Voltage	V	300
Dielectric strength	Between coil and contact	V/min	4000
	Between contacts	V/min	2500
Max. tightening torque	Nm	-	
Wire size	AWG/mm <sup>2</sup>	20-14/0.5-2.5	
Ambient temperature	°C	-40~+85	
Unit weight	g	37	42

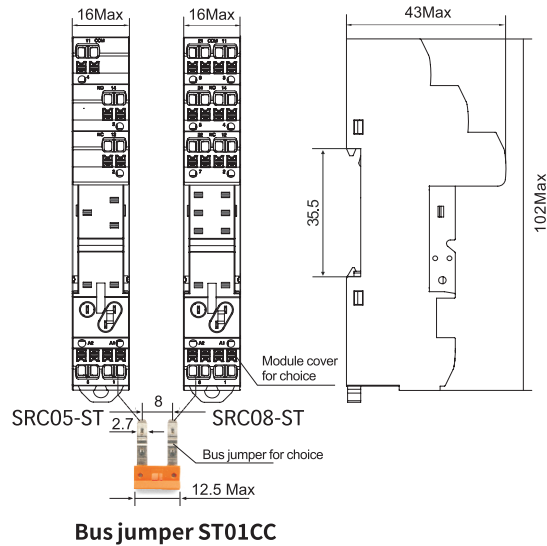
### Accessories

Socket	ID tag	Bus Jumper	Module
SRC05-ST			
SRC08-ST	SR2P	ST01CC	AMD

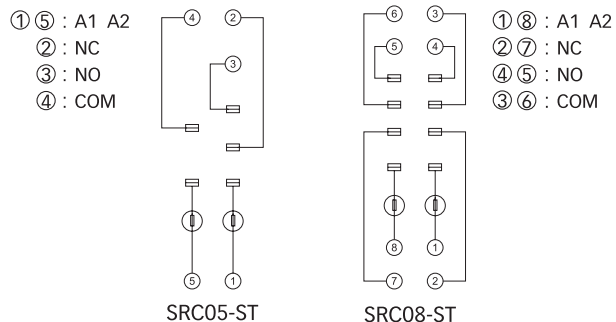
### Clip selection table

Relay H (mm)	15	20	25
Clip Type			
	SR15L	SR20F	SR25C

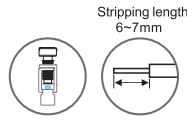
## Dimensions (mm)



## Connection Diagrams



## Characteristics



SRC05-E






SRC08-E






Type		SRC05-E	SRC08-E
Nominal load	Current	A	12
	Voltage	V	300
Dielectric strength	Between coil and contact	V/min	4000
	Between contacts	V/min	2500
Max. tightening torque	Nm	1.0	
Wire size	AWG/mm <sup>2</sup>	20-14/0.5-2.5	
Ambient temperature	°C	-40~+85	
Unit weight	g	33	37

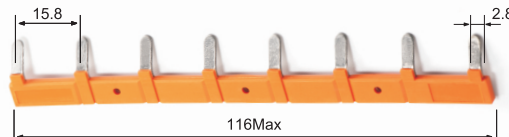
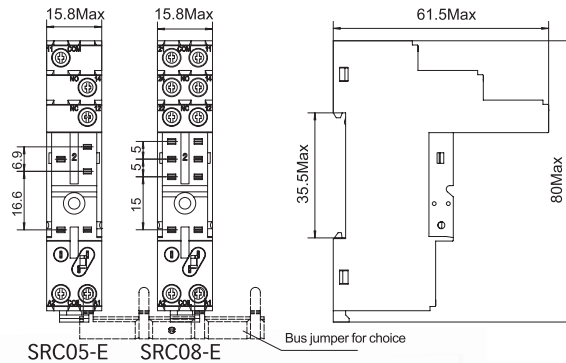
### Accessories

Socket	ID tag	Bus Jumper	Module
SRC05-E			
SRC08-E	SR2P	SR08B	AMD

### Clip selection table

Relay H (mm)	15	20	25
Clip Type			
	SR15L	SR20F	SR25C

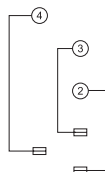
## Dimensions (mm)



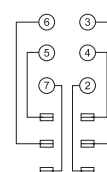
Bus jumper SR08B

## Connection Diagrams

- ① ⑤ : A1 A2
- ② : NC
- ③ : NO
- ④ : COM



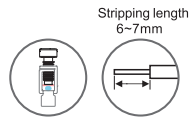
SRC05-E



SRC08-E

- ① ⑧ : A1 A2
- ② ⑦ : NC
- ④ ⑤ : NO
- ③ ⑥ : COM

## Characteristics



SRB05-E



SRB08-E



Type		SRB05-E	SRB08-E
Nominal load	Current	A	12
	Voltage	V	300
Dielectric strength	Between coil and contact	V/min	4000
	Between contacts	V/min	2500
Max. tightening torque	Nm	1.0	
Wire size	AWG/mm <sup>2</sup>	20-14/0.5-2.5	
Ambient temperature	°C	-40~+85	
Unit weight	g	33	37

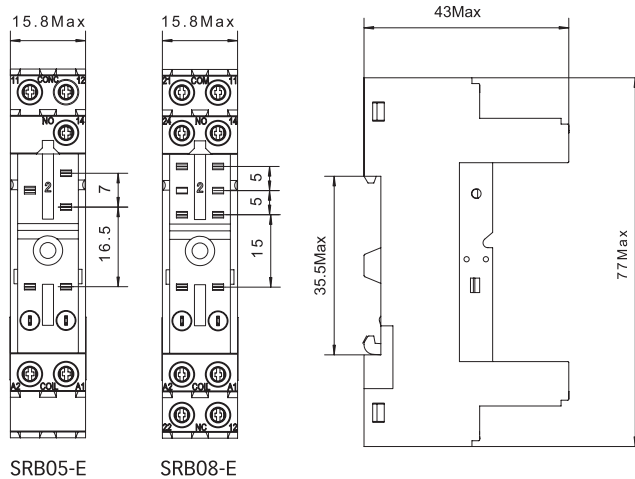
### Accessories

Socket	ID tag	Module
SRB05-E	 SR2P	 AMD
SRB08-E		

### Clip selection table

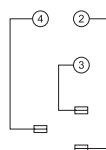
Relay H (mm)	15	20	25
Clip Type	 SR15L	 SR20F	 SR25C

## Dimensions (mm)



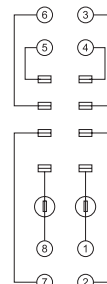
## Connection Diagrams

- ① ⑤ : A1 A2
- ② : NC
- ③ : NO
- ④ : COM



SRB05-E

- ① ⑧ : A1 A2
- ② ⑦ : NC
- ④ ⑤ : NO
- ③ ⑥ : COM



SRB08-E

## Characteristics

SRC05-P



SRC08-P

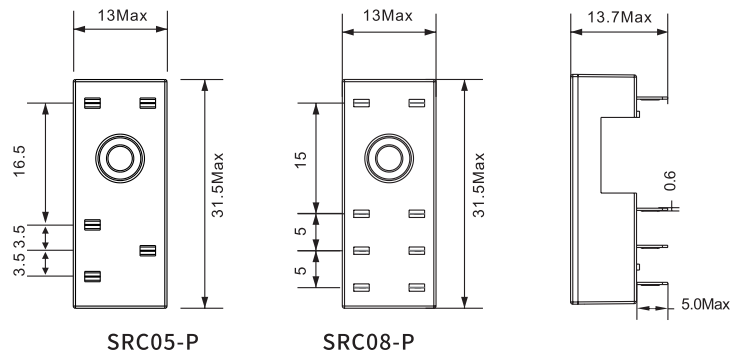


Type		SRC05-P	SRC08-P
Nominal load	Current	A	12
	Voltage	V	300
Dielectric strength	Between coil and contact	V/min	4000
	Between contacts	V/min	2500
Max. tightening torque	Nm	-	
Wire size	AWG/mm <sup>2</sup>	-	
Ambient temperature	°C	-40~+85	
Unit weight	g	10	10

### Accessories

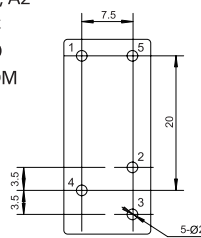
Socket	Metal clip		
SRC05-P			
SRC08-P	SR15M	SR1520M	SR2025M

## Dimensions (mm)



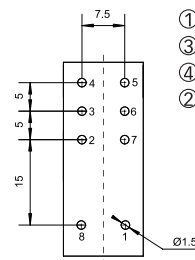
## Connection Diagrams

- ① ⑤ : A1, A2
- ② : NC
- ③ : NO
- ④ : COM



SRC05-P  
BOTTOM VIEW

- ① ⑧ : A1, A2
- ③ ⑥ : COM
- ④ ⑤ : NO
- ② ⑦ : NC



SRC08-P  
BOTTOM VIEW